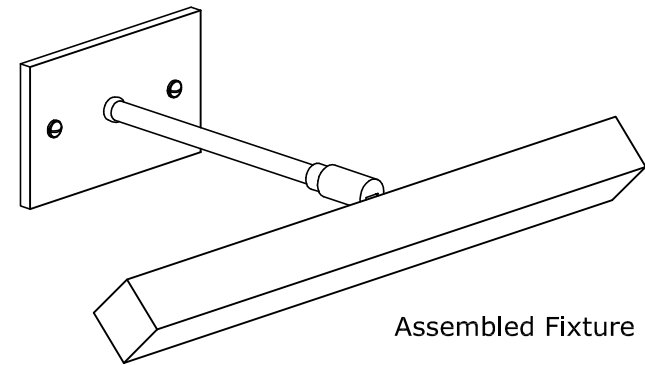
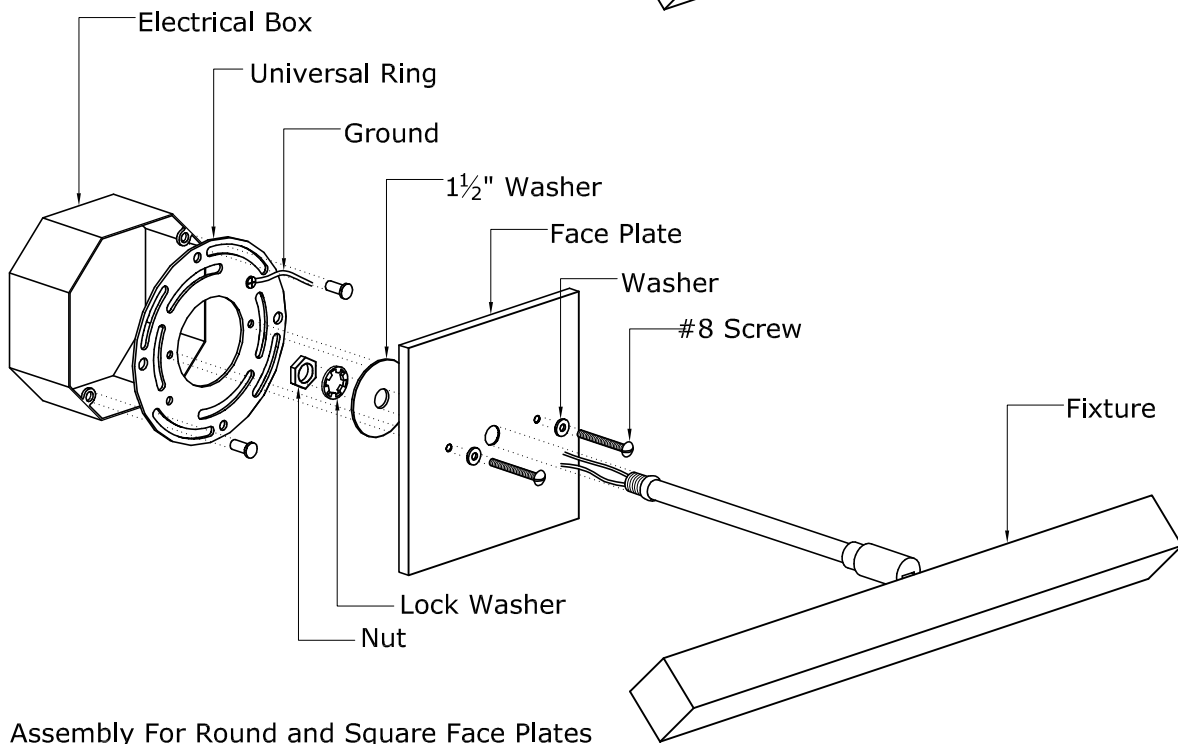


Assembly For Rectagular Face Plate



Assembled Fixture



Assembly For Round and Square Face Plates

